

real inspiration

SolidWorks Certification Programs

Mike Puckett

Dassault Systèmes SolidWorks

SolidWorks Certification Program

- Two core exams & three advanced topic exams
- Meant to challenge users to demonstrate their knowledge of core SolidWorks functionality
- Also demonstrates a users ability to construct robust models that follow design intent and are easily changed and updated
- Online database of certified users
- Online database of VAR certifications
- www.solidworks.com/cswp



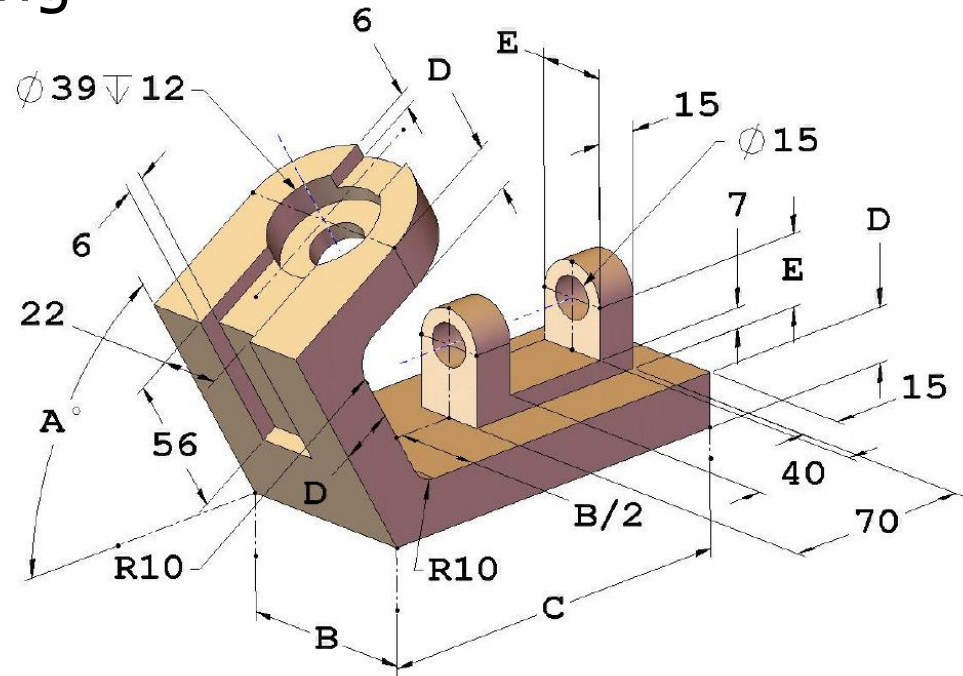
Advantages of Certification

- \$100 Discount on SolidWorks World with CSWP
- Exclusive CSWP event at SolidWorks World
- Online directory listing
- Business card and email signature logos
- Recognition of your SolidWorks knowledge
- Improve your resume



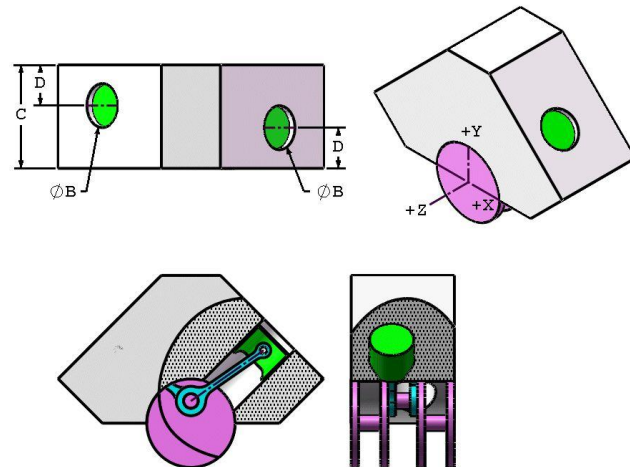
The Certification Break-Down

- CSWP-Core Modeling Specialist
- CSWP-Advanced Sheet Metal
- CSWP-Advanced Surfacing
- CSWP-FEA (Simulation)
- CSWA (Education)



Certification World-Wide Numbers

- CSWP-Core Modeling Specialist: 8,234
- CSWP-Advanced Sheet Metal: 409
- CSWP-Advanced Surfacing: 38
- CSWP-FEA (Simulation): 30
- CSWA (Education): 7,830



* As of 3-26-09





real inspiration

CSWP – Core Modeling
Specialist

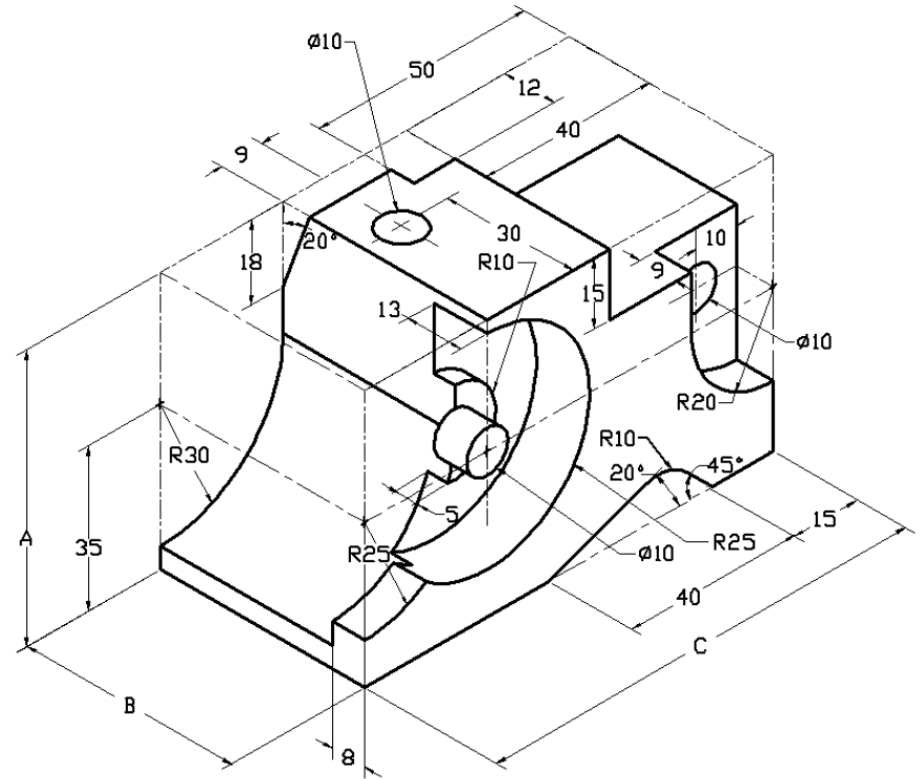


real inspiration

CSWA
(Education)

CSWA

- 3 Hour exam
- 70% Passing score
- Recommended training:
 - SolidWorks tutorials
- Some topics covered:
 - Sketch tools
 - Dimensions
 - Mass properties
 - Annotations
 - Fillets and chamfers
 - Standard mates





real inspiration

CSWP - Advanced Exams

- Sheet Metal
- Surfacing
- Simulation

Sheet Metal

- Two hour exam
- 75% Passing score
- Recommended training:
 - SolidWorks essentials
 - Sheet metal
- Some topics covered:
 - Miter flange
 - Bend deduction
 - Forming tool
 - Flatten
 - Unfold and fold

Surfacing

- 90 Minute exam
- 75% Passing score
- Recommended training:
 - Advanced surface modeling
- Some topics covered:
 - Spline creation
 - Filled surface
 - Knit surface
 - Move face
 - Thicken
 - Swept surface



What You Should Know

- Internet connection is required
- Exams can be taken on any version of SolidWorks*
- Results will be given at the end of the exam
- If tester software crashes we can upload your results
- You cannot stop and start the exam clock
- If you fail, you must wait 30 days to retake exam
- Subscription customers get annual offers



Tips For Taking The Tests

- Use dual monitors or two computers
- Browse the exam and begin with comfortable tasks
- Watch your time
- Double check answers before submitting exam
- Pay attention to origins
- Exams focus a lot on design intent
- Save, save, save



real inspiration

SolidWorks Certification Center Interface Enhancements

SolidWorks Certification Center

SolidWorks® Certification Center - Windows Internet Explorer

https://area51.virtualtester.com/area51/branding/userpages/vt_userparts.html#

SOLIDWORKS® CERTIFICATION CENTER

REFRESH LOGOUT

CERTIFICATES EXAM RESULTS CREDITS / VOUCHERS SETTINGS

Your Certificates

Certificate ID	Certificate	Issued By	Issued On		
C-B6UXMQAU3C	Certified COSMOSWorks Advanced Professional Support Technician 2008	Mike Puckett, SolidWorks Corporation	02/22/2009		
C-WQGKSPVH8Y	Certified SolidWorks Associate	Mike Puckett, SolidWorks Corporation	01/31/2009		
C-2ZPSMSYZC5	Certified SolidWorks Professional	Jeremy Luchini, SolidWorks Corporation	02/03/2007		

Publish Certificates

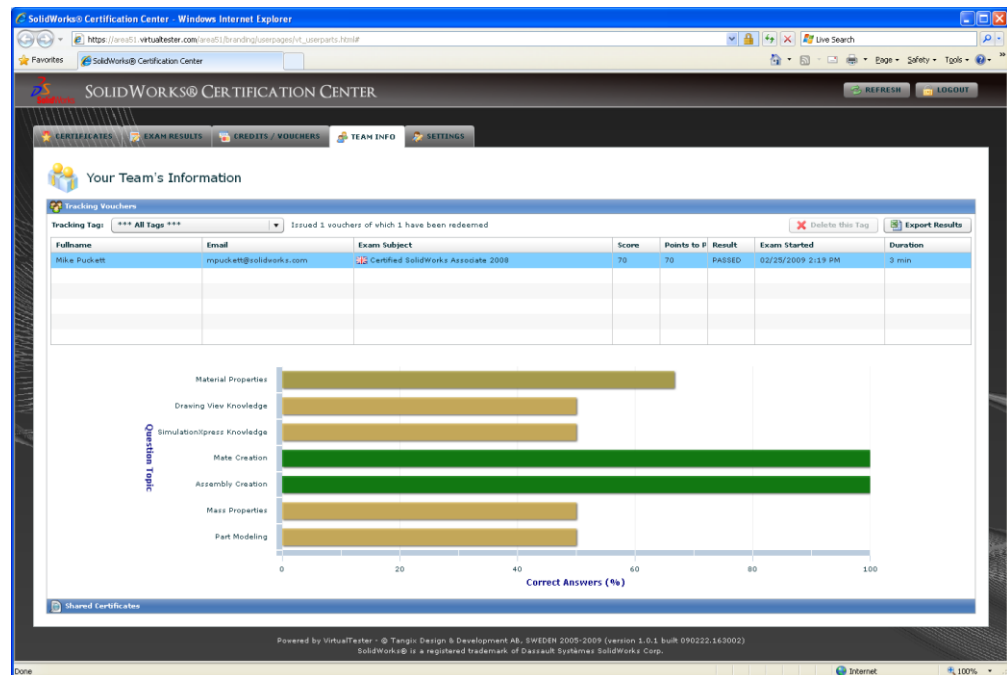
Powered by VirtualTester - © Tangix Design & Development AB, SWEDEN 2005-2009 (version 1.0.1 built 090222.163002)
SolidWorks® is a registered trademark of Dassault Systèmes SolidWorks Corp.

Done Internet 100%

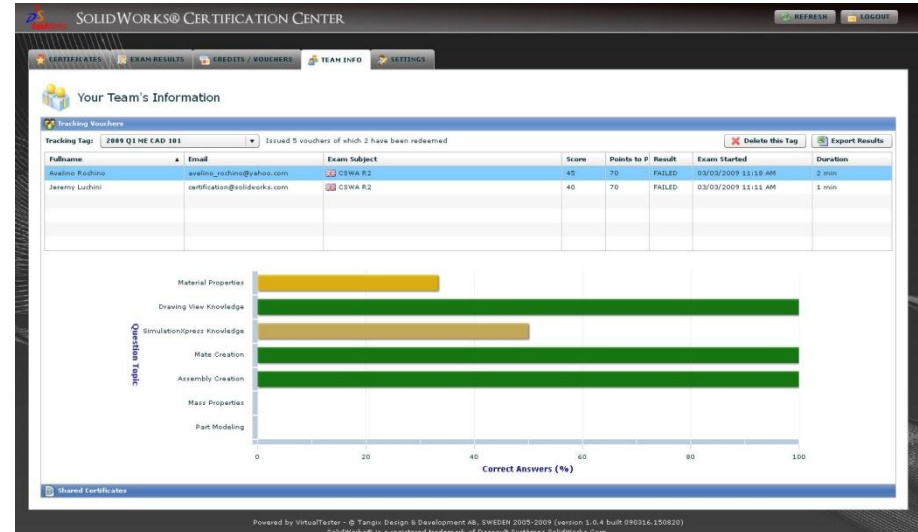
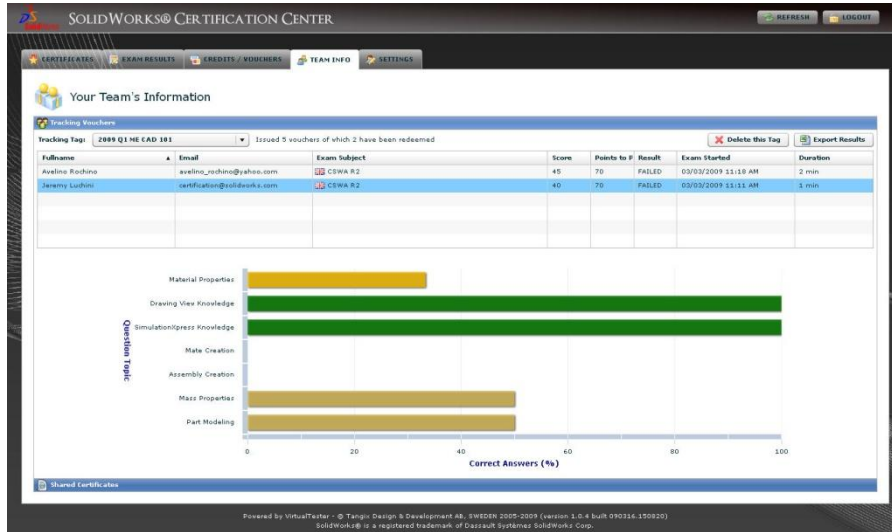


Management Tools

- Create a test event for your team
- Track team members progress in the system
- View test results for individuals
- Export all results to an Excel file to see where to focus training



Export Results



Export Results

Team's Information

Issued 5 vouchers of which 2 have been redeemed

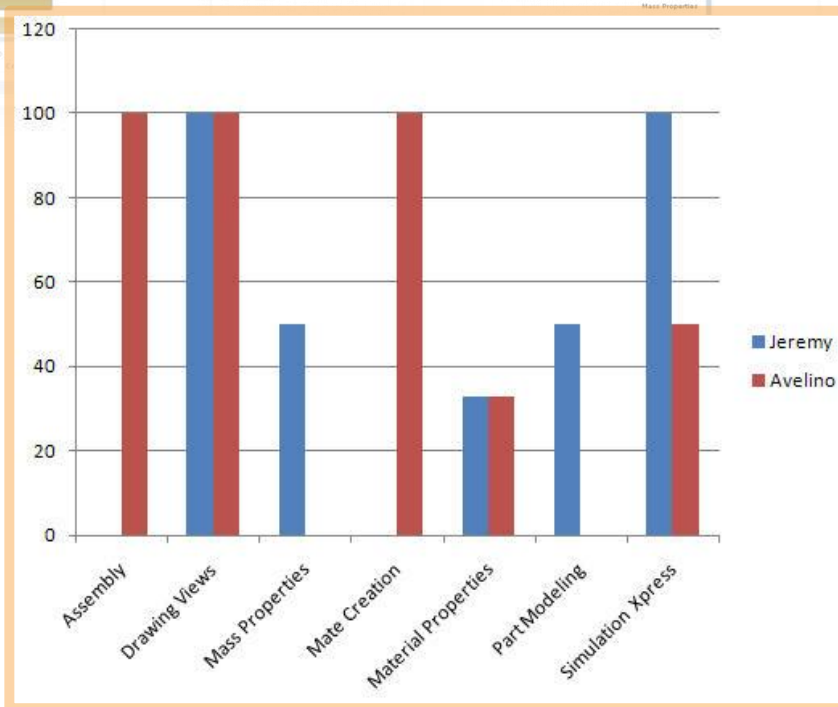
Name	Email	Exam Subject	Score	Points to P. Result	Exam Started	Duration
avelino	avelino_jerome@yahoo.com	CSWA-R2	45	70	03/03/2009 11:10 AM	8 min
jeremy	jeremias@solidworks.com	CSWA-R2	40	70	03/03/2009 11:11 AM	8 min



Team's Information

Issued 5 vouchers of which 2 have been redeemed

Name	Email	Exam Subject	Score	Points to P. Result	Exam Started	Duration
avelino	avelino_jerome@yahoo.com	CSWA-R2	45	70	03/03/2009 11:10 AM	8 min
jeremy	jeremias@solidworks.com	CSWA-R2	40	70	03/03/2009 11:11 AM	8 min



Management Tools: Share Your Certificate

The screenshot displays the SolidWorks Certification Center interface. At the top, the logo and 'SOLIDWORKS® CERTIFICATION CENTER' are visible, along with 'REFRESH' and 'LOGOUT' buttons. A navigation bar includes 'CERTIFICATES', 'EXAM RESULTS', 'CREDITS / VOUCHERS', 'TEAM INFO', and 'SETTINGS'. The main content area is titled 'Your Certificates' and features a table with the following data:

Certificate ID	Certificate	Issued By	Issued On		
C-5GRPNZ9F42	Certified SolidWorks Associate	VirtualTester Online, Tangix AB (A51)	02/24/2009		
C-84UXMQAU3C	Certified COSMOSWorks Advanced Professional Support Technician 2008	Mike Puckett, SolidWorks Corporation	02/22/2009		
C-WQGKSPVHBY	Certified SolidWorks Associate	Mike Puckett, SolidWorks Corporation	01/31/2009		
C-2ZPSMSYZCS	Certified SolidWorks Professional	Jeremy Luchini, SolidWorks Corporation	02/03/2007		

A 'Publish Certificates' dialog box is overlaid on the table. It contains the following text and elements:

Publish Certificates [X]

Enter the email address of another VirtualTester account you want to publish your certificates to.

Email:

Publish my Certificates

A 'Publish Certificates' button is also visible in the bottom right corner of the table area.

Manage Your Account

- Make sure your information is correct
- Correct info will be needed for SWW 2010 CSWP event registration
- Forgot your log-in info? Email: certification@solidworks.com
- More changes, enhancements, and special offers will be coming to the Certification Center



The top portion of the slide features a photograph of industrial machinery, including blue metal frames, silver braided hoses, and a red metal grid. An orange-bordered box is overlaid on the left side of the image, containing the word "real" in a bold, orange, sans-serif font.

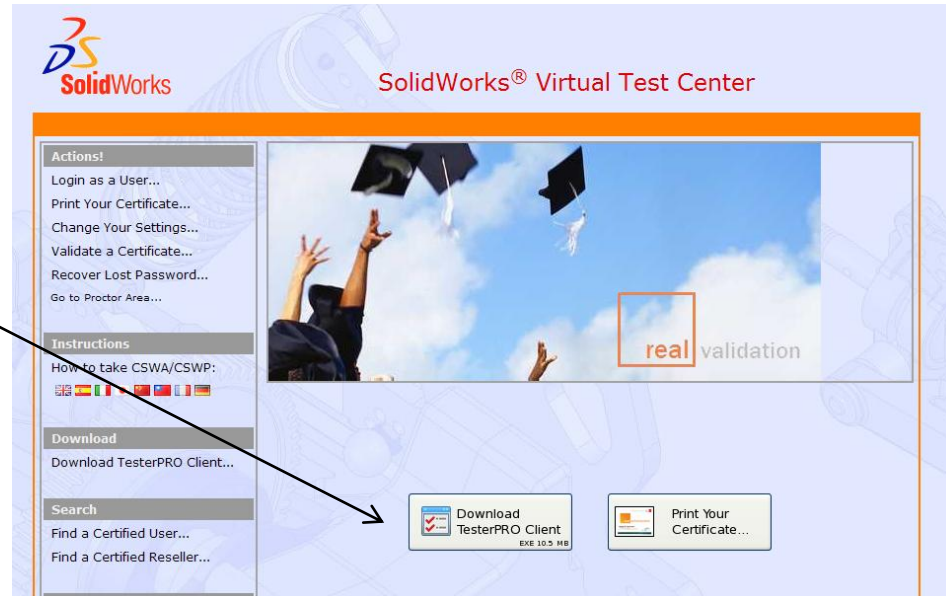
real

SolidWorks User Group Network Offer

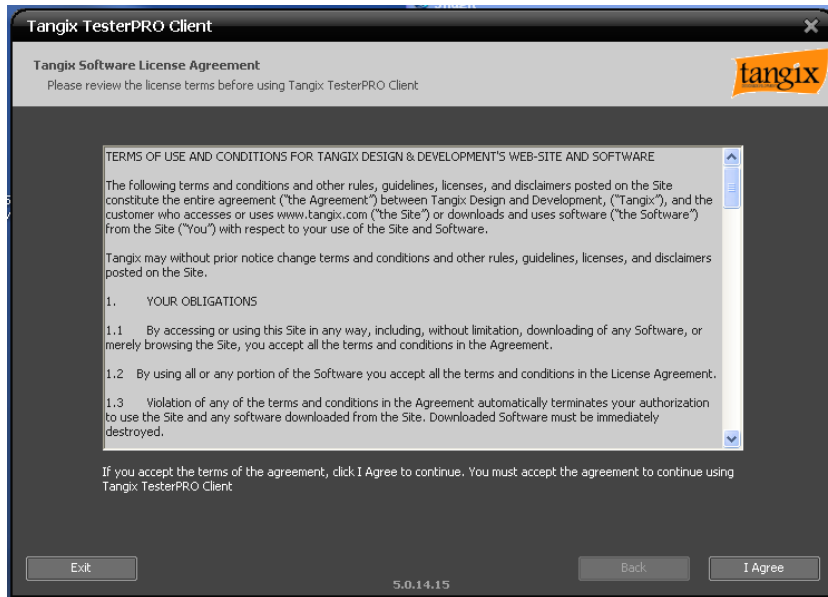
SWUGN Offer

- Free CSWP exam for all members
- Get voucher number at conclusion of meeting
- Expires on: August 26th, 2009
- Visit:
<https://www.virtualtester.com/solidworks/user.php>

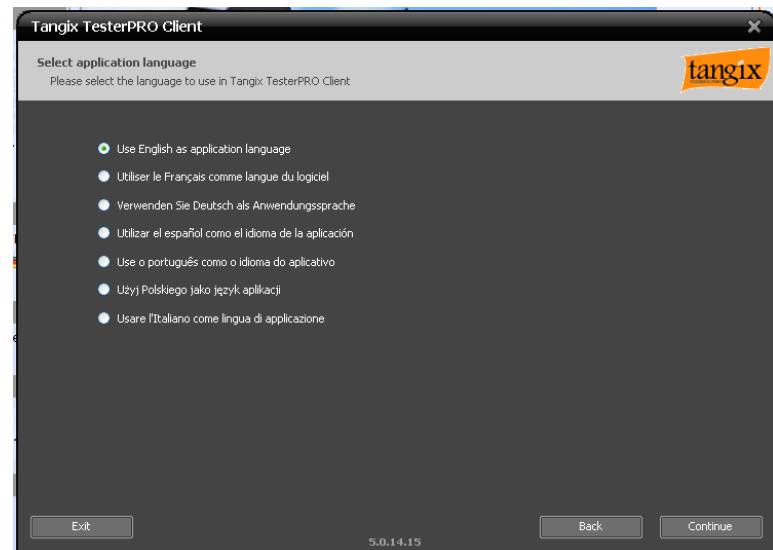
Download
Tester Pro



Setting Up The Exam



Agree to terms of service
and select language



Setting Up The Exam

Tangix TesterPRO Client

Candidate Information
Please complete the required fields below.

I already have a VirtualTester UserID and password

I do not have a VirtualTester UserID. Create one with the following information:

- First Name:
- Last Name:
- Company:
- E-mail:
- Address 1:
- Address 2:
- City:
- State / Province:
- Postal Code: Required field
- Country: All

Exit Back Continue

5.0.14.15

Create a new account or
login in to existing
account

Tangix TesterPRO Client

Candidate Information
Connect to VirtualTester

I already have a VirtualTester UserID and password

E-mail:

Password:

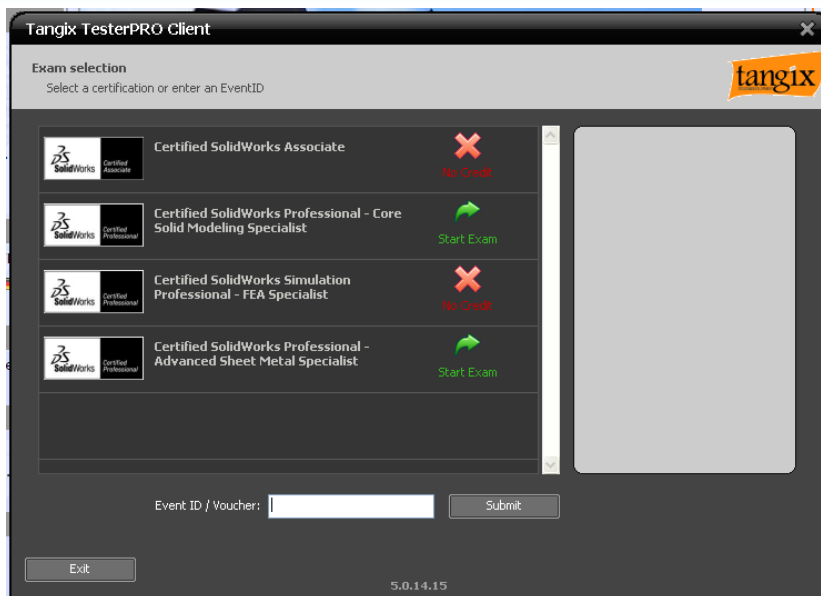
I do not have a VirtualTester UserID. Create one with the following information:

Exit Back Continue

5.0.14.15

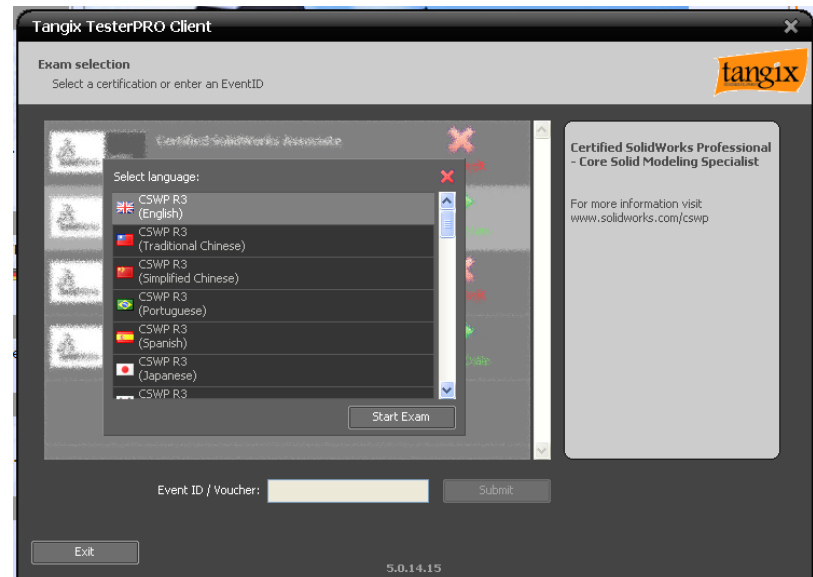


Setting Up The Exam



Enter voucher code
And click submit

Select exam and select
Language then start
timed exam



Certification Sneak Peak for 2009

- Exclusive offers to CSWP's
- More advanced exams (Weldments, Mold Tools, Routing)
- Optional participation in marketing events
- Elite SolidWorks Professional
- CSWP Rev 4 Release



Questions?

Michael.Puckett@3ds.com

Twitter: mikepuckett

